

GoodDealELD1 Plug-&-Play Telematics Device

For the most up-to-date version of this document, please visit www.gooddealgps.com.

The telematics device is a small form-factor device. Device installation is often straightforward and can be completed successfully by following these instructions. Harnesses are available for specialty installations or to keep the diagnostic port exposed if desired (professional installation required).



Read important related safety information and limitations of use following these installation instructions. Read and follow all instructions and warnings to prevent serious injury and/or vehicle damage.

Installing Your Telematics Device

Preparing For Installation

Ensure no dash warning lights are on in the vehicle while it is running, and all other functions such as headlamps and flashers etc. are working prior to installing the device. Ensure the harness connector and the GoodDealELD1 device are compatible to the vehicle specification. GoodDealGPS takes no responsibility if the connector or the ELD and AOBDR devices are not compatible to the vehicles where they are installed.

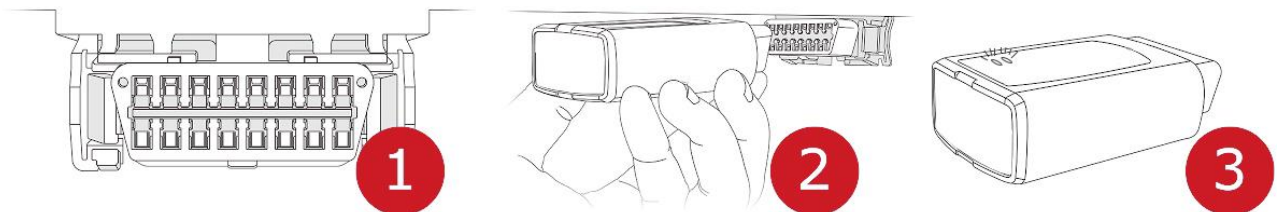
WARNING! Some installations are not straightforward and must be completed by an Authorized Installer to ensure a secure installation. An unsecure device installation can cause poor electric and/or data connection that can lead to short circuits and fires or cause malfunctions of vehicle controls that can result in serious personal injury or significant damage to your vehicle. Some examples requiring professional installation from an Authorized Installer are:

- The OBD port location is such that the device could protrude or interfere when entering or exiting the vehicle or located so could be inadvertently kicked or bumped during vehicle operation.
- The device isn't fully secured and so may be able to vibrate loose or get kicked or knocked.
- An electrical harness or additional wiring is required.
- Vehicle mounting modifications are required to secure the device i.e. removing of panels, or the OBD connector has been deformed/damaged or there is any physical damage visible to the electrical wiring.
- The device does not power on when first installed.
- The installer questions their ability to complete a secure installation according to these instructions.

WARNING! Do not attempt to install, re-configure or remove any product from a vehicle while the vehicle is in motion or otherwise in operation. All installation, configuration or removal must be done only in stationary vehicles which are securely parked. Attempting to service devices while the vehicle is in motion could result in malfunctions or accidents, leading to death or serious personal injury.

Installation in Three Steps

Based on the warnings above, if you determine that a professional installation by an Authorized Installer is not required, the following basic installation steps can be followed.

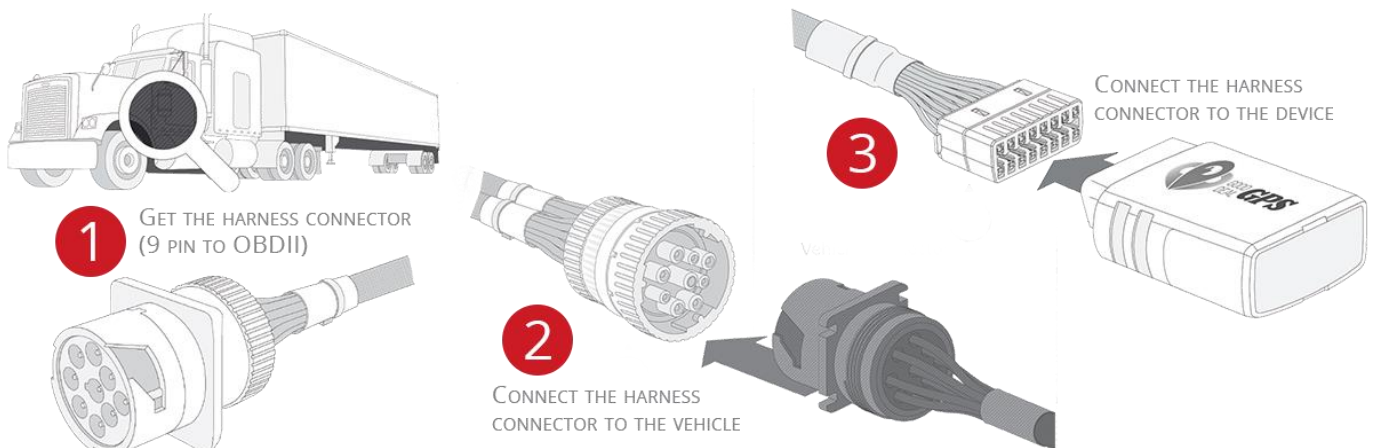


Locate the vehicle's engine diagnostic port typically found in the driver's area at or below knee level.

Note: heavy-duty vehicles use a harness connector system - 9 pin to OBDII. Contact contact@gooddealgps.com for heavy-duty connector applications or for extension harnesses should it be necessary to place your device away from the engine diagnostic port location.

Align the receiver end of the device with the engine diagnostic port and simply push in place, ensuring that the device is well connected to the diagnostic port.

With the vehicle parked outdoors to locate satellites and vent exhaust fumes, start the vehicle and allow it to run for few minutes. During this time period you will notice L1 and L2 LEDs will power on and illuminate on the face of the device. This initial startup may take several minutes to complete.



WARNING! All in-vehicle devices must be securely fastened and kept clear of all vehicle controls, including gas, brake and clutch pedals.

WARNING! If at any point after an in-vehicle device is installed a warning light illuminates on the vehicle dash or the vehicle stalls or has a marked drop in performance, shut off the engine, remove the device, and contact your reseller. Continuing to operate a vehicle with these symptoms can cause loss of vehicle control, and serious injury.



For more details on compliance information and applicable products, please contact your Authorized Reseller.

Important Safety Information and Limitations of Use

For the latest version of the Limitations of Use, please visit: www.gooddealgps.com.

WARNING! Your in-vehicle devices must be kept clear of debris, water and other environmental contaminants. Failure to do so may result in units malfunctioning or short-circuiting, that can lead to a fire hazard and cause loss or serious injury.

WARNING! Do not attempt to remove the devices from the vehicle in which they are originally installed for installation in another vehicle. Not all vehicles share compatibility, and doing so may result in unexpected interactions with your vehicle, including sudden loss of power or shutdown of the vehicle's engine while in operation or cause your vehicle to operate poorly or erratically and cause serious injury and/or vehicle damage.

NOTICE: This product does not contain any user-serviceable parts. Configuration, servicing, and repairs must only be made by an authorized reseller or installer. Unauthorized servicing of these products will void your product warranty.